

IEW58*4096 HTL ME5,0M + ULR

Order-#: 210-00011

23.4.2021 / 010103020105001158



Stock photo

Advantages

- Easy mounting (slot nuts)
- Guide pulley, mountable
- Heavy-Duty applications
- High measuring accuracy
- High working reliability
- Robust Al-alloy profile body

Technical data for 210-00011

NO. OF PULSES	4096
NO. OF CHANNELS	K1-K2 NEG
ZERO-PULSE	K0 NEG
PROGRAMMABLE	NO
INTERFACE	INCREMENTAL
OUTPUT LEVEL	HTL
SUPPLY VOLTAGE	4,75V..30V
CONNECTOR TYPE	1X8P.M12-CONNECTOR
CONNECTOR-POSITION	CONNECTOR RADIAL ON HOUSING
MATING PLUG	NO
SHAFT TYPE	12H7 BLIND SHAFT
TEMPERATURE RANGE	-40+85°C
PROTECTION Class	IP65
OPTIONS ENC	K1 VOR K2 BEI SEILAUSZUG
	ME-WDS-5000-P115 5,0M
	ROPE LENGTH TRANSMITTER
	UMLENKROLLE
PINOUT NO.	10859
SLG-RATIO	315.60...316,00 mm/TURN
SLG-LINEARITY	+/-0,02% (Tol. bei 0-1m: ±5mm)

Subject to change.

TR-Electronic GmbH
 Eglshalde 6
 78647 Trossingen
 Tel. +49 (0) 7425 228-0
 info@tr-electronic.de
www.tr-electronic.de

IEW58*4096 HTL ME5,0M + ULR

Order-#: 210-00011

23.4.2021 / 010103020105001158

Technical data for 210-00011 continuation

SLG-TEMPERATURE RANGE	-20°C..+80°C
SLG-PROTECTION CLASS	IP54 / IP65 BOTTOM OUTLET
SLG-SPRING FORCE	min.3N / max.7,5N
SLG-B10-Value	450.000 bei 52.800 Zyklen p.a.
SLG-ROPE DIAMETER	0,45 mm
SLG-PULLOUT ANGLE	max. +/-3°
SLG-ORDER NO	40730016
DRAWING NO.	04-210-M0008
UL-APPROVALS	USA+CANADA

General data for K-WDS-05000-115-1

Order number(s)	40-730-003
Housing design	□ 115 mm
Housing material	Aluminium anodized
Measuring length	5.00 m
Gear ratio	315.23 mm/rev.
	Note: Observe name plate!
Accuracy, gear ratio	± 0.06 %
Diameter, measuring wire	1.00 mm
Material, measuring wire	Stainless steel, PA coated
Wire outlet angle	<= ±3 °
Linearity	± 0.02 %
	related to the measuring range
Adjusting speed	<= 4 m/s
Wire acceleration, typically	49 m/s ²
Spring retraction force	4...16 N
Options	
- Guide pulley	one-way, wire outlet linear
Mass, typically	1.4 kg

Environmental data

Vibration	
- Specific value	<= 196 m/s ²

Subject to change.

IEW58*4096 HTL ME5,0M + ULR

Order-#: 210-00011

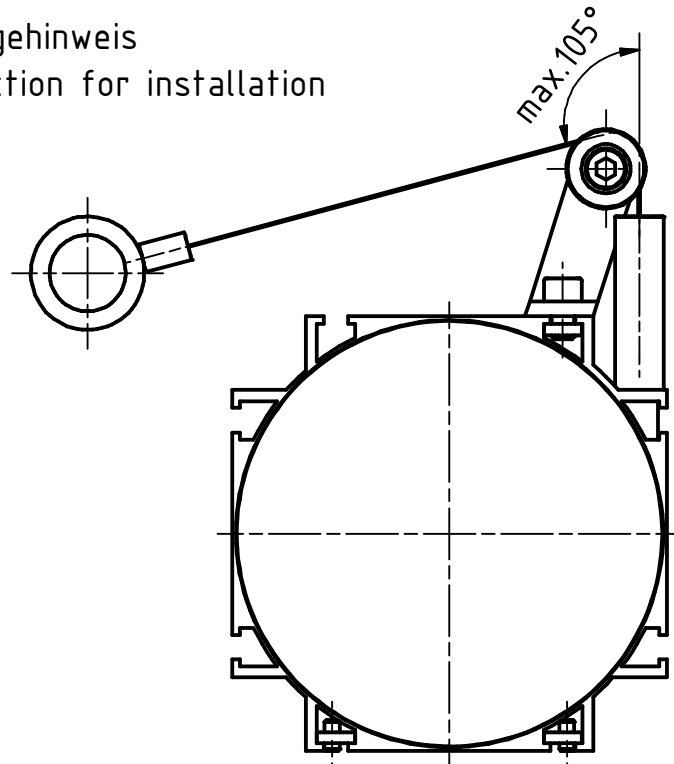
23.4.2021 / 010103020105001158

Environmental data continuation

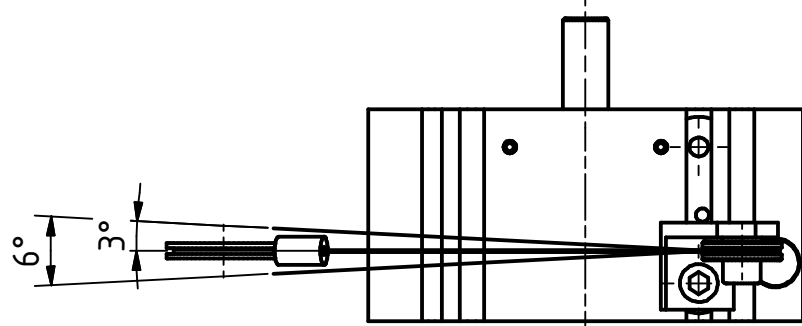
- Sine	20...2000 Hz
Shock	
- Specific value	$\leq 490 \text{ m/s}^2$
- Half sine	10 ms
Working temperature	
- Standard	-20...+80 °C
Storage temperature, dry	-40...+80 °C
Protection class	
- Standard	IP65
- Note	according mounting instruction

Subject to change.

Montagehinweis
instruction for installation

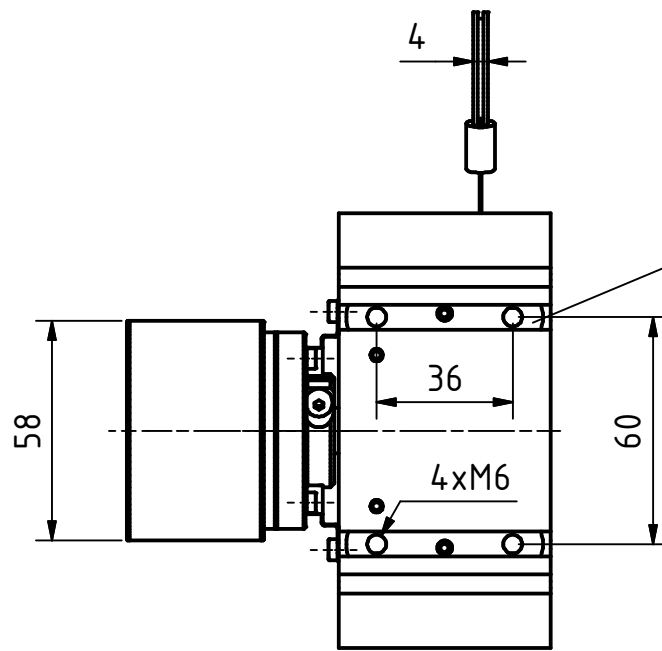
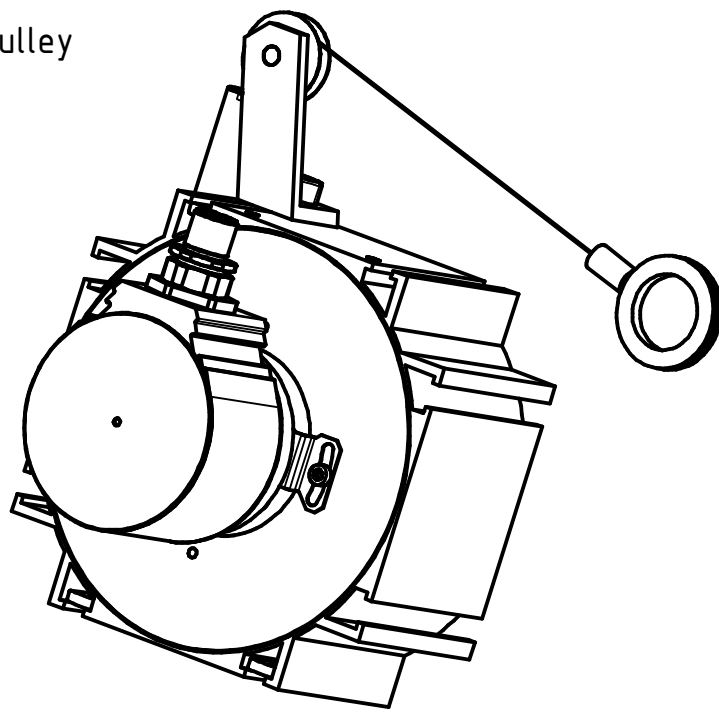


max. 105°

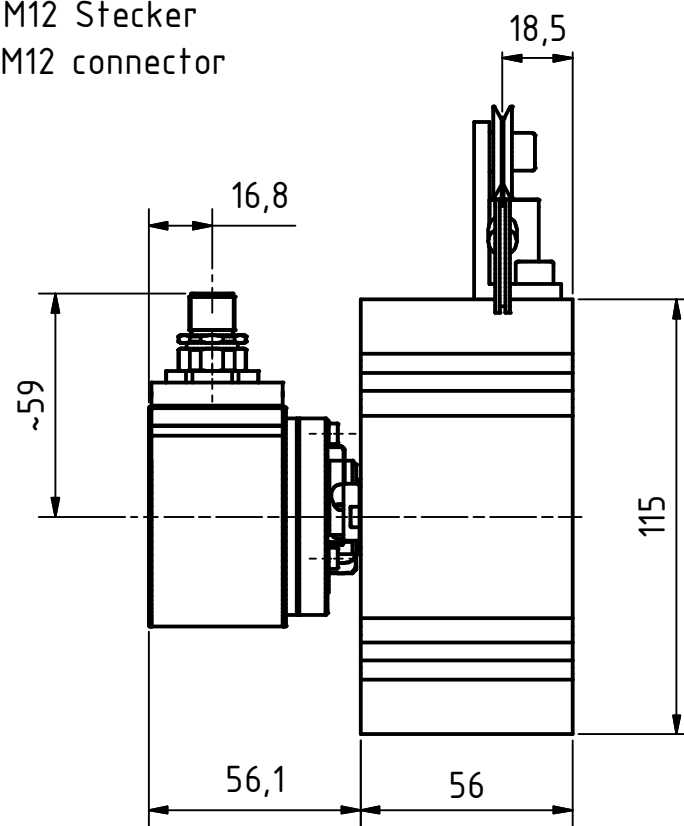


6°
3°

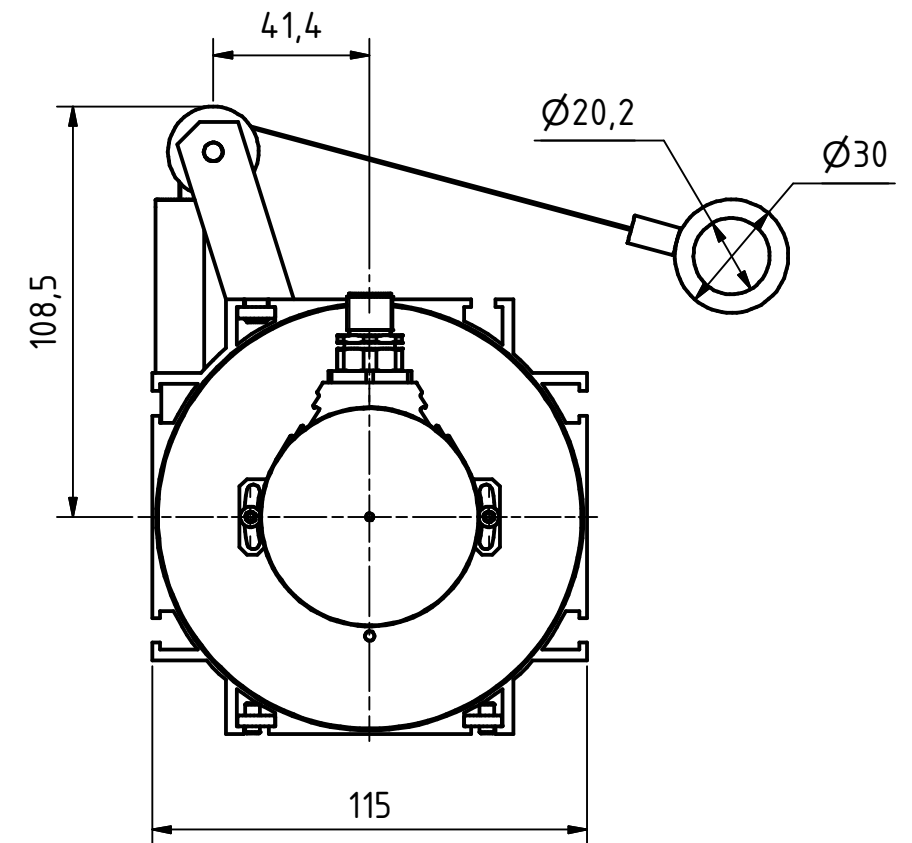
Umlenkrolle
deflection pulley



8pol. M12 Stecker
8pin. M12 connector




Nutenstein (2x)
in beliebiger Position/Seite eingeschoben
slot nut (2x)
slidable to any position/side



Artikel-Nr. und Steckerbelegung: siehe Datenblatt
Article-No. and pin connections: see data sheet

Öse, Messing
ear, brass

	TR Electronic GmbH Eglisshalde 6 D-78647 Trossingen Tel. +49 7425 228-0 www.tr-electronic.de		Tolerierung ISO 8015		Maßstab 1 : 2 DIN A3	
	Zeichnungs-Nr. nur für diese Ausführung gültig Drawing-No. only für this type valid				IEW-58, pull of rope encoder ME, 5m rope	
www.tr-electronic.de DXF+Info: info@tr-electronic.de		Zeichnungs-Nr.: / Drawing-No.: 04-210-M0008		Blatt 1 1 Bl.		
Zust.	Änderungen	Datum	Name	EDV-Nr.:	Dok.Art. IDW	Teil-Dok. 000 Dok.Vs. 00

Pin assignment

Pin assignment number: 10859

Connector name: 8-pol M12-Connector

Index:

Pin-count: 8

13.01.2021

Page: 1/1

Pin	Designation	Description	Colour
1	CH_A_OUT	Channel A	-
2	/CH_A_OUT	Channel A inverted	-
3	CH_B_OUT	Channel B	-
4	/CH_B_OUT	Channel B inverted	-
5	CH_I_OUT	Channel Reference	-
6	/CH_I_OUT	Channel Reference inverted	-
7	Supply Voltage IN	Supply voltage	-
8	Ground IN	Ground	-

WARNING

'De-energize the system before carrying out wiring work or opening and closing electrical connections !
Short-circuits, voltage peaks, etc. can cause operating failures and uncontrolled operating states, as well as serious personal injuries and damage to property.

Verdrahtungsarbeiten, Öffnen und Schließen von elektrischen Verbindungen nur im spannungslosen Zustand durchführen ! Kurzschlüsse, Spannungsspitzen etc. können zur Fehlfunktion und unkontrollierten Zuständen der Anlage bzw. zu erheblichen Personen- und Sachschäden führen.