

Technical data

NO.OF STEPS/REV	8.192,000
NO. OF REVOLUTIONS	4.096,000
PROGRAMMABLE	PROG.
INTERFACE	SSI
CODE	GRAY
SUPPLY VOLTAGE	10-30V
OUTPUT LEVEL	RS422
PROTECTION Class	IP54
TEMPERATURE RANGE	-20+75°C
SHAFT TYPE	15H7 HOLLOW SHAFT
CONNECTOR TYPE	CONTACT 12P
CONNECTOR-POSITION	CONNECTOR RADIAL ON HOUSING
PINOUT NO.	ST185E
MATING PLUG	NO
OPTIONS ENC	CLAMPING RING ON FLANGE
OPTIONS ENC	F/R
OPTIONS ENC	MOMENT SUPPORT SPRING
OPTIONS ENC	PRESET 1 + 2
OPTIONS ENC	PROGRAMMABLE
DRAWING NO.	04-CEH582M-M0055
FIRMWARE NO	437582
DOCUMENTATION NO	DOKUMENTE
EL:	AL:N
ECCN:	ECCN:N
MTTFd [y] (T=45°C, DC=0) >=	200
UL-APPROVALS	USA+CANADA

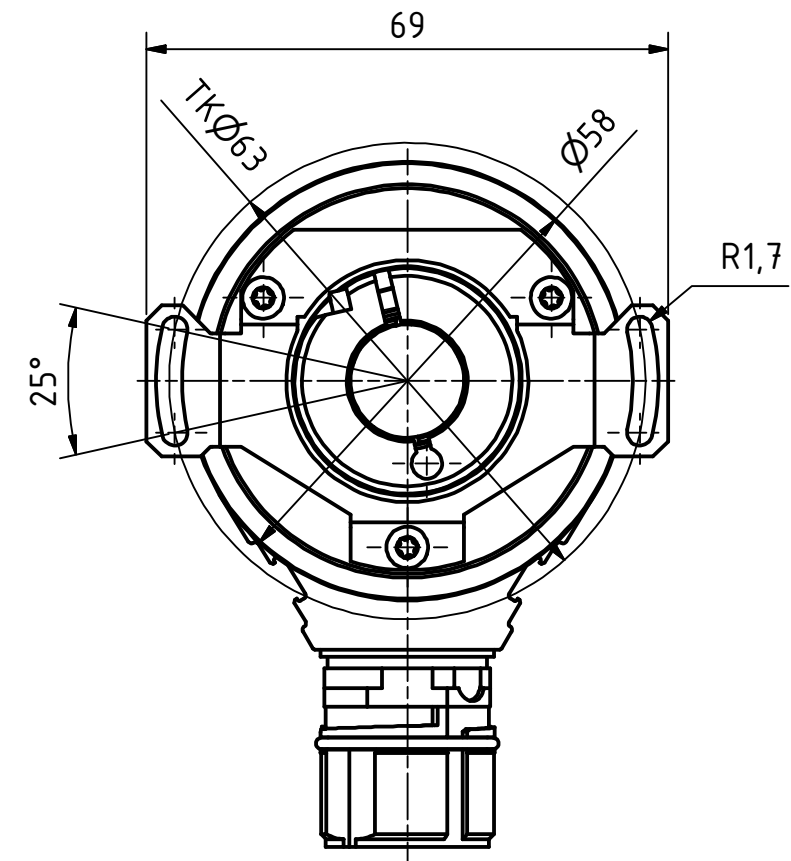
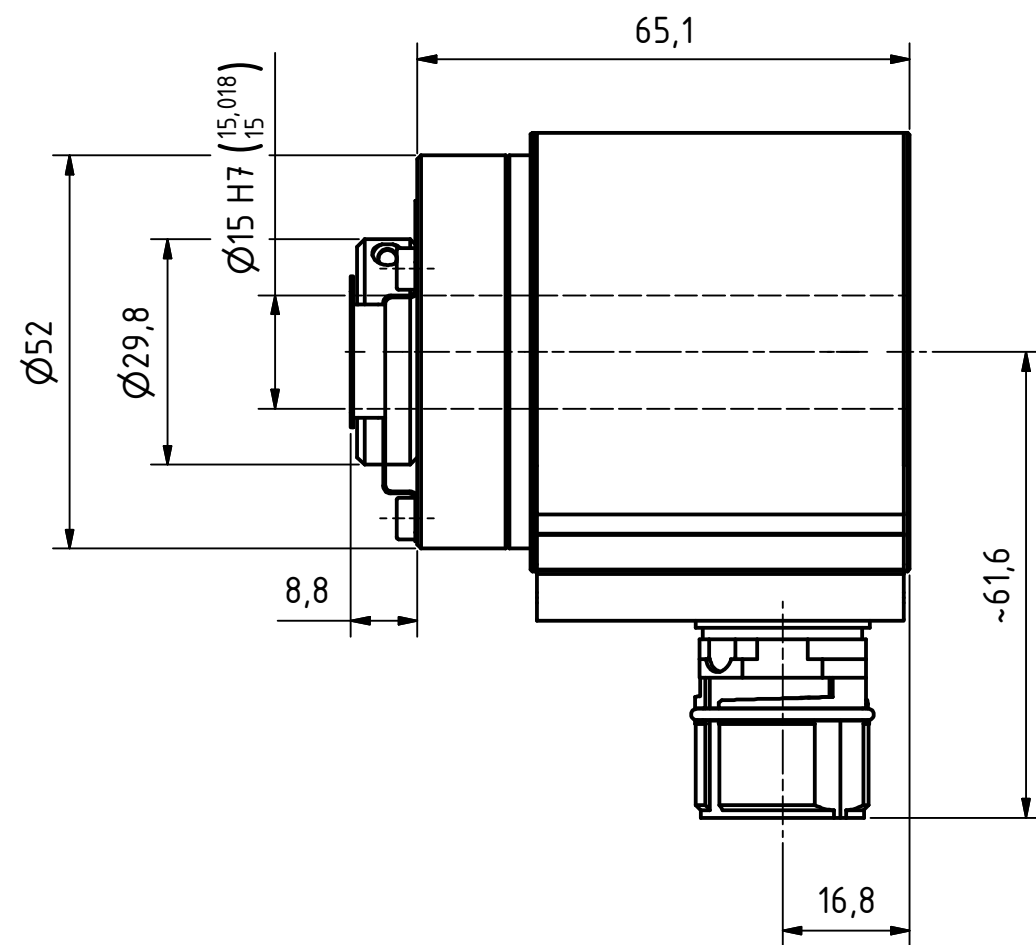
GL	Wellenausführung glatt / shaft type cylindrical
FL	Wellenausführung mit Fläche / shaft type with flat surface
N	Wellenausführung mit Nut / shaft type with slot
Hohlw	Hohlwelle / hollow shaft
Klemme	mit Klemmring / with clamping ring
Grundw	Grundwelle / fundamental shaft
SLG	Seillängengeber / cable retractor
ZB	Zentrierbund / centre ring
Tachofl	Tachoflansch / tachometer flange
DAG	DAG-Schutzgehäuse / DAG protective housing
TK	Teilkreis / pitch circle

Add one of the Reducer Collets below to get the shaft bore you need for your application

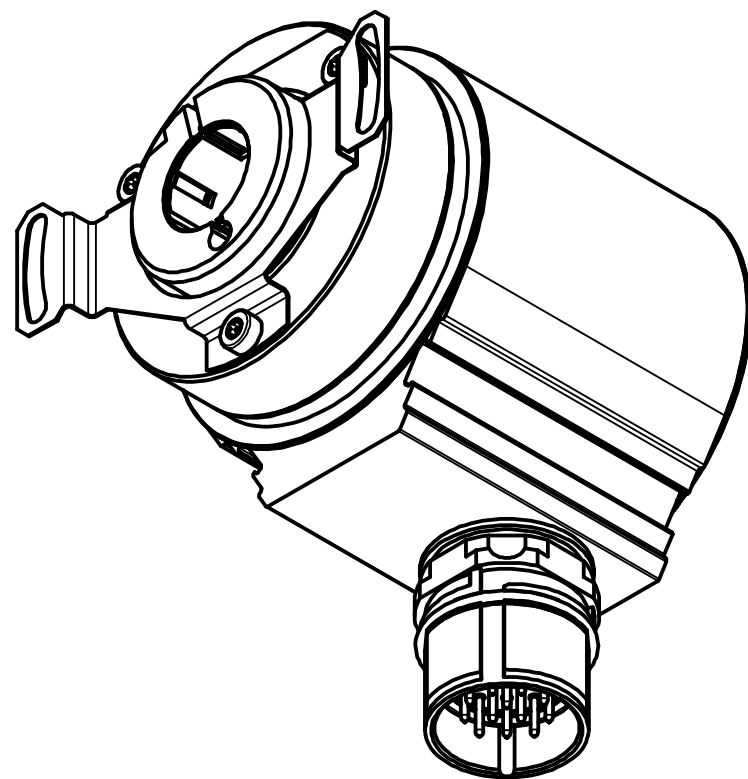
Part Number	Description
15-12	15mm to 12mm Reducer Collet
15-10	15mm to 10mm Reducer Collet
15-8	15mm to 8mm Reducer Collet
15-6	15mm to 6mm Reducer Collet
15-1/2	15mm to 1/2 Inch Reducer Collet
15-3/8	15mm to 3/8 Inch Reducer Collet
15-1/4	15mm to 1/4 Inch Reducer Collet




Subject to change.



12pol. Stecker
12pin. connector



Artikel-Nr. und Steckerbelegung: siehe Datenblatt
Article-No. and pin connections: see data sheet

	TR-Electronic GmbH Eglisshalde 6 D-78647 Trossingen phone +49 7425 228-0 www.tr-electronic.de		Maßstab 1 : 1 DIN A3	
			Zeichnungs-Nr. nur für diese Ausführung gültig Drawing-No. only für this type valid	
		Datum	Name	CEH-582-M, Ø15H7
		Erstellt	15.04.2020 FLAIG	
		Bearb.	15.04.2020 FLAIG	
		Gepr.	15.04.2020 NEMECZ	
		Norm		
		www.tr-electronic.de DXF+Info: info@tr-electronic.de		Zeichnungs-Nr. / Drawing-No.: 04-CEH582M-M0055
Zustf.	Änderungen	Datum	Name	EDV-Nr.:
				Dok.Art. IDW Teil-Dok. 000 Dok.Vs. 00
				Blatt 1 1 Bl.

Pin assignment

Pin assignment number: 185

Index: E

27.01.2014

Connector name: 12-pol CONTACT

Pin-count: 12

Page: 1/1

Pin	Designation	Description	Level	Driver NC	Colour
1	SSI_Clock-_IN	Clock input -	RS 422	RS 422	white
2	SSI_Clock+_IN	Clock input +	RS 422	RS 422	brown
3	SSI_DATA+_OUT	Data output +	RS 422	RS 422	green
4	SSI_DATA-_OUT	Data output -	RS 422	RS 422	yellow
5	Ser.Program+_IN/OUT	Ser. programming interface RS485	RS 485	RS 485	gray
6	Ser.Program-_IN/OUT	Ser. programming interface RS485	RS 485	RS 485	pink
7	not connected				
8	Direction IN	Change of counting direction	Supply Voltage		0 red
9	Preset1_IN	Preset value 1	Supply Voltage		0 black
10	Preset2_IN	Preset value 2	Supply Voltage		0 violet
11	Supply Voltage IN	Supply voltage	11-27V		gray/pink
12	Ground IN	Ground	0V		red/blue

WARNING

'De-energize the system before carrying out wiring work or opening and closing electrical connections !

Short-circuits, voltage peaks, etc. can cause operating failures and uncontrolled operating states, as well as serious personal injuries and damage to property.

Verdrahtungsarbeiten, Öffnen und Schließen von elektrischen Verbindungen nur im spannungslosen Zustand durchführen ! Kurzschlüsse, Spannungsspitzen etc. können zur Fehlfunktion und unkontrollierten Zuständen der Anlage bzw. zu erheblichen Personen- und Sachschäden führen.